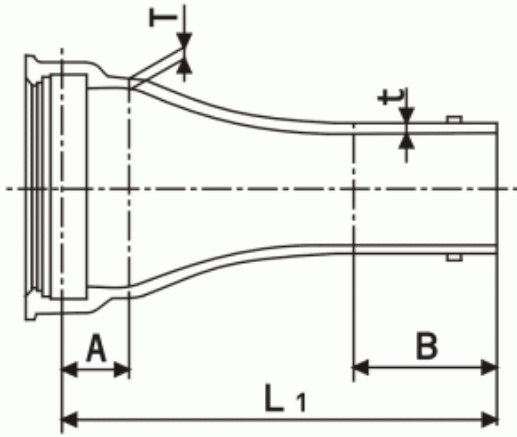
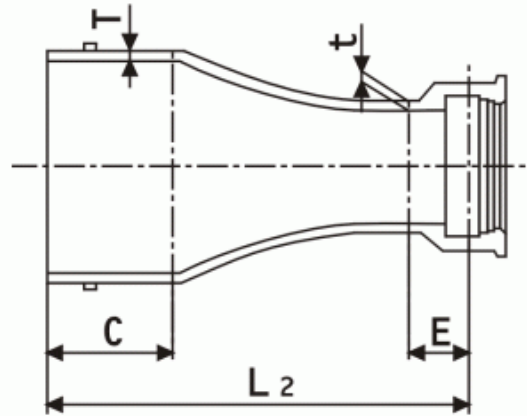




●Type U Taper



■ 承插式縮管 Socket



■ 插承式縮管 Spigot

Unit: mm

Nominal size		Thickness		Dimensions						Weight (kg)		Nominal size		Thickness		Dimensions						Weight (kg)	
D	d	T	t	A	B	C	E	L ₁	L ₂	Socket	Spigot	D	d	T	t	A	B	C	E	L ₁	L ₂	Socket	Spigot
700	400	17.0	14.0	235	220	240	90	1155	1030	343	246	1800	1100	30.0	22.0	345	280	300	285	1525	1485	1980	1630
700	450	17.0	14.5	235	230	240	100	1165	1040	357	263	1800	1200	30.0	23.0	345	280	300	295	1525	1495	2010	1700
700	500	17.0	15.0	235	230	240	110	1165	1050	371	282	1800	1350	30.0	24.0	345	300	300	315	1545	1515	2080	1820
700	600	17.0	16.0	235	230	240	120	1165	1060	401	320	1800	1500	30.0	26.0	345	300	300	315	1545	1515	2170	1970
800	450	18.0	14.5	245	230	240	100	1175	1040	422	298	1800	1600	30.0	27.5	345	300	300	325	1545	1525	2240	2120
800	500	18.0	15.0	245	230	240	110	1175	1050	435	316	1800	1650	30.0	28.0	345	300	300	325	1545	1525	2280	2190
800	600	18.0	16.0	245	230	240	120	1175	1060	463	352	2000	1200	32.0	24.0	345	280	300	295	1525	1495	2430	1980
800	700	18.0	17.0	245	240	240	235	1185	1175	499	469	2000	1350	32.0	25.0	345	300	300	315	1545	1515	2470	2090
900	500	19.0	15.0	255	230	260	110	1185	1070	500	363	2000	1500	32.0	26.0	345	300	300	315	1545	1515	2520	2200
900	600	19.0	16.0	255	230	260	120	1185	1080	526	398	2000	1600	32.0	27.5	345	300	300	325	1545	1525	2580	2330
900	700	19.0	17.0	255	240	260	235	1195	1195	560	512	2000	1650	32.0	28.0	345	300	300	325	1545	1525	2600	2390
900	800	19.0	18.0	255	240	260	245	1195	1205	595	577	2000	1800	32.0	30.0	345	320	300	325	1565	1525	2740	2560
1000	600	20.0	16.0	275	230	260	120	1205	1080	607	443	2100	1350	33.0	25.0	365	300	320	315	1565	1535	2710	2270
1000	700	20.0	17.0	275	240	260	235	1215	1195	637	555	2100	1500	33.0	26.0	365	300	320	315	1565	1535	2750	2360
1000	800	20.0	18.0	275	240	260	245	1215	1205	670	617	2100	1600	33.0	27.5	365	300	320	325	1565	1545	2800	2490
1000	900	20.0	19.0	275	260	260	255	1235	1215	714	680	2100	1650	33.0	28.0	365	300	320	325	1565	1545	2820	2540
1100	700	21.0	17.0	285	240	280	235	1325	1315	761	648	2100	1800	33.0	30.0	365	320	320	325	1585	1545	2940	2700
1100	800	21.0	18.0	285	240	280	245	1325	1325	796	712	2100	2000	33.0	32.0	365	320	320	325	1585	1545	3100	2980
1100	900	21.0	19.0	285	260	280	255	1345	1335	842	777	2200	1500	34.0	26.0	365	300	320	315	1565	1535	2970	2530
1100	1000	21.0	20.0	285	260	280	275	1345	1355	887	857	2200	1600	34.0	27.5	365	300	320	325	1565	1545	3010	2650
1200	800	22.0	18.0	295	240	280	245	1335	1325	886	770	2200	1650	34.0	28.0	365	300	320	325	1565	1545	3020	2690
1200	900	22.0	19.0	295	260	280	255	1355	1335	929	831	2200	1800	34.0	30.0	365	320	320	325	1585	1545	3130	2840
1200	1000	22.0	20.0	295	260	280	275	1355	1355	970	907	2200	2000	34.0	32.0	365	320	320	325	1585	1545	3260	3090
1200	1100	22.0	21.0	295	280	280	285	1375	1365	1030	996	2200	2100	34.0	33.0	365	320	320	325	1585	1545	3350	3230
1350	900	24.0	19.0	315	260	300	255	1375	1355	1110	954	2400	1600	36.0	27.5	385	300	320	325	1685	1645	3630	3060
1350	1000	24.0	20.0	315	260	300	275	1375	1375	1150	1020	2400	1650	36.0	28.0	385	300	320	325	1685	1645	3640	3100
1350	1100	24.0	21.0	315	280	300	285	1395	1385	1200	1110	2400	1800	36.0	30.0	385	320	320	325	1705	1645	3740	3240
1350	1200	24.0	22.0	315	280	300	295	1395	1395	1250	1190	2400	2000	36.0	32.0	385	320	320	325	1705	1645	3860	3480



Unit: mm

Nominal size		Thickness		Dimensions						Weight (kg)		Nominal size		Thickness		Dimensions						Weight (kg)	
D	d	T	t	A	B	C	E	L ₁	L ₂	Socket	Spigot	D	d	T	t	A	B	C	E	L ₁	L ₂	Socket	Spigot
1500	1000	26.0	21.0	335	260	300	275	1395	1375	1370	1170	2400	2100	36.0	33.0	385	320	320	325	1705	1645	3940	3610
1500	1100	26.0	21.0	335	280	300	285	1415	1385	1400	1230	2400	2200	36.0	34.0	385	320	320	325	1705	1645	4030	3750
1500	1200	26.0	22.0	335	280	300	295	1415	1395	1440	1300	2600	1600	37.5	27.5	370	335	385	305	2065	2050	4620	3740
1500	1350	26.0	24.0	335	300	300	315	1435	1415	1540	1460	2600	1650	37.5	28.0	370	340	385	310	2020	2005	4600	3750
1600	1000	27.5	21.0	345	260	300	275	1505	1475	1610	1330	2600	1800	37.5	30.0	370	345	385	315	1875	1860	4540	3740
1600	1100	27.5	22.0	345	280	300	285	1525	1485	1650	1400	2600	2000	37.5	32.0	370	355	385	325	1685	1670	4410	3730
1600	1200	27.5	23.0	345	280	300	295	1525	1495	1700	1480	2600	2100	37.5	33.0	370	360	385	330	1590	1575	4330	3700
1600	1350	27.5	24.0	345	300	300	315	1545	1515	1780	1630	2600	2200	37.5	34.0	370	365	385	335	1495	1480	4260	3670
1600	1500	27.5	26.0	345	300	300	315	1545	1515	1890	1800	2600	2400	37.5	36.0	370	375	385	345	1305	1290	4040	3600
1650	1000	28.0	21.0	345	260	300	275	1505	1475	1690	1380												
1650	1100	28.0	22.0	345	280	300	285	1525	1485	1730	1455												
1650	1200	28.0	23.0	345	280	300	295	1525	1495	1770	1530												
1650	1350	28.0	24.0	345	300	300	315	1545	1515	1850	1670												
1650	1500	28.0	26.0	345	300	300	315	1545	1515	1960	1830												
1650	1600	28.0	27.5	345	300	300	315	1545	1525	2040	1990												

Note: Socket of 600mm and under are K type.

SHIN NAN CASTING FACTORY CO., LTD.

SHIN NAN CASTING FACTORY CO., LTD.

SHIN NAN CASTING FACTORY CO., LTD.

SHIN NAN CASTING FACTORY CO., LTD.

SHIN NAN CASTING FACTORY CO., LTD.

SHIN NAN CASTING FACTORY CO., LTD.

SHIN NAN CASTING FACTORY CO., LTD.

SHIN NAN CASTING FACTORY CO., LTD.

SHIN NAN CASTING FACTORY CO., LTD.

SHIN NAN CASTING FACTORY CO., LTD.